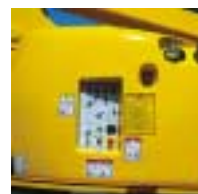


# HA26PX

## Articulating boom

- +70° / -70° fly jib.
- 506 lb (230 kg) platform capacity.
- Standard 4 wheel drive and 4 wheel steer.
- 17 in (42 cm) ground clearance.
- 40% gradeability.



ISO 9001  
GROUP  
PINGUELY  
HAULOTTE



ARTICULATED BOOMS



VERTICAL MASTS



TELESCOPIC BOOMS



SCISSOR LIFTS



TRAILERS

**Haulotte**®

ON THE UP

# HA26PX

## ARTICULATING BOOM

### The Haulotte® advantages

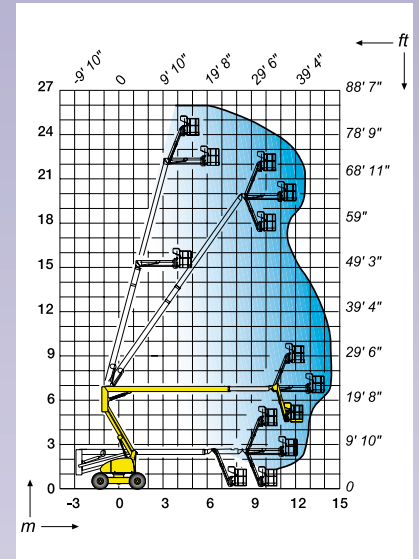
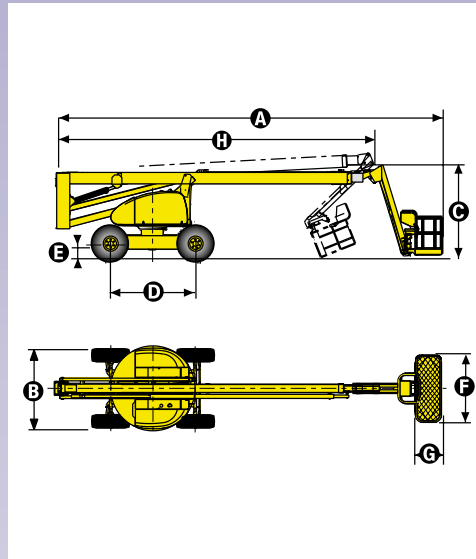
- Improved working area through a positive / negative articulating fly jib with 140° movement
- Hydraulic differential lock and 17 in (42 cm) ground clearance for improved rough terrain capability
- Continuous 360° turntable rotation
- Zero tailswing
- 180° hydraulic platform rotation
- Compact travel / transport dimensions
- Full proportional controls and simultaneous boom functions improve productivity
- 2.8 mph (4.5 km/h) travel speed
- Robust, reliable and easy to maintain design

### STANDARD FEATURES

- 4 wheel drive and 4 wheel steer
- Load limiter in platform
- 220 V / 16 A power line to platform
- 3° tilt alarm
- Diesel Deutz engine
- 12 V - 95 AH - batteries / electrical control system
- Electric emergency lowering system
- Free wheeling device
- Hourmeter
- Slewing block pin
- Towing hooks / lifting eyes
- 2 hooks for safety harness in platform

### OPTIONS & ACCESSORIES

- Rotating beacon
- Flashing light
- Working light
- Catalytic exhaust
- 2.3 x 0.8 / 7 ft 6 in x 2 ft 7 in large platform



### SPECIFICATIONS

Working height	85.3 ft	26 m
Platform height	79 ft	24 m
Horizontal outreach	46 ft	14 m
Up & over clearance	22 ft 3 in	6.8 m
Platform capacity	506 lb	230 kg
Fly jib range of motion	140° (+70°/-70°)	140° (+70°/-70°)
<b>A</b> Stowed length	39 ft	11.9 m
<b>B</b> Width	7 ft 10 in	2.38 m
<b>C</b> Stowed height	8 ft 9 in	2.67 m
<b>D</b> Wheelbase	8 ft 6 in	2.6 m
<b>E</b> Ground clearance	17 in	42 cm
<b>F</b> x <b>G</b> Platform size	71 in x 32 in	1.8 m x 0.8 m
<b>H</b> Travel/transport length	31 ft 5 in	9.60 m
Tailswing	0	0
Drive speed	0.9 mph – 3.7 mph	1.2 km/h – 4.5 km/h
Outside turning radius	12 ft 8 in	3.9 m
Turntable rotation (continuous)	360°	360°
Hydraulic platform rotation	180°	180°
Gradeability	40%	40%
Engine	Diesel Deutz 52 hp - 38 kw	
Gradeability	40%	40%
Tyres (foam filled)	15 R 22	15 R 22
Hydraulic tank	33 gallons	150 l
Fuel tank	33 gallons	150 l
Weight	31.194 lb	14.150 kg

AS1418.10

